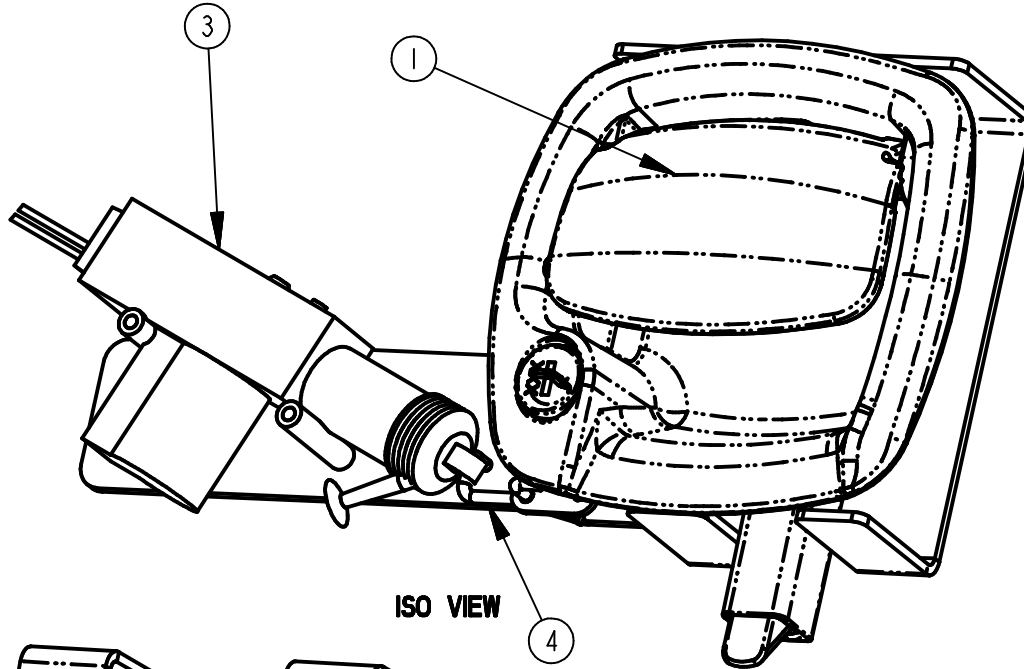
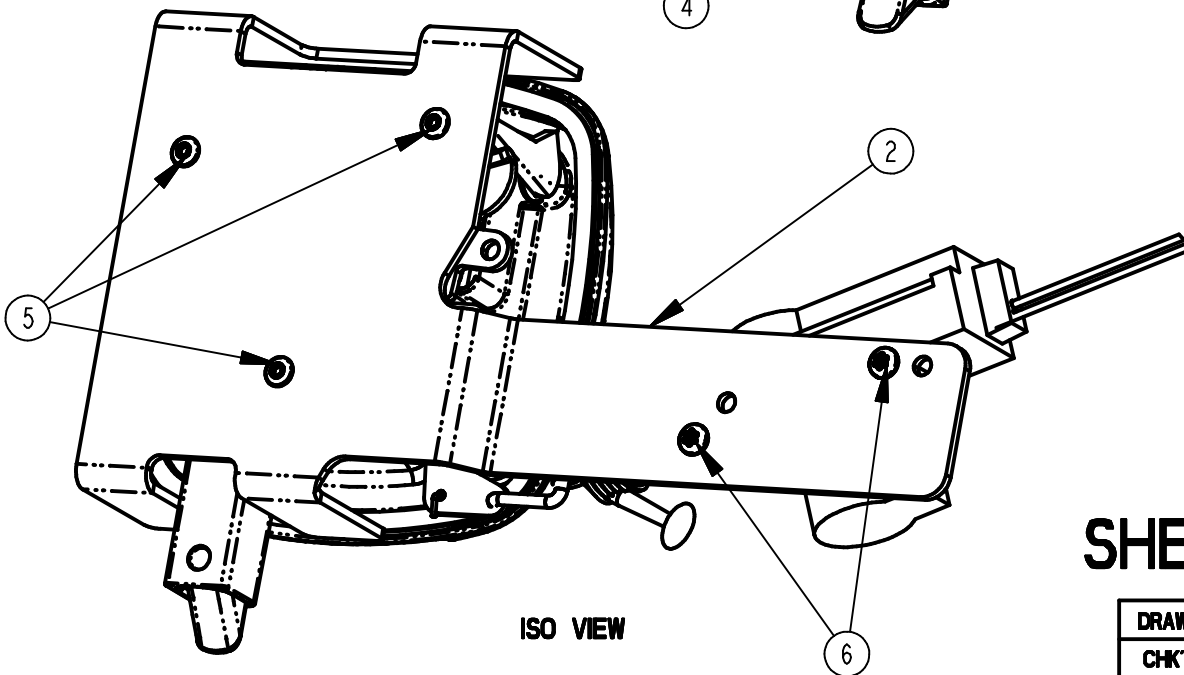


6	19935-02	POWER ACTUATOR MOUNT FASTENERS	2
5	15555-01	ASSEMBLY MOUNT FASTENER	3
4	20504-01	POWER LOCK ROD	1
3	19062-01	POWER ACTUATOR	1
2	34145-01	POWER MOUNTING BRACKET	1
1	34136-01, -02	BAGGAGE ASSEMBLY WITH ZINC PLUNGER	1
LEFT HAND 060-0475 ZINC TWO-PIECE PLUNGER WITH POWER LOCK			



ISO VIEW



ISO VIEW

SHEET 7 OF 7

DRAWN BY	BJP	6/26/14
CHKD BY		
RLSE DATE		

TYPICAL APPLICATION

MODEL TY060-0475

SCALE	DESCRIPTION
0.500	060-0475, TYPICAL APPLICATIONS

SIZE	REVISION	PART NUMBER
A		TY060-0475A